

REVIEW

Bub, Hans 1991. *Bird Trapping and Bird Banding: A Handbook for Trapping Methods All over the World*. Translated from the German by F Hamerstrom and K Wuertz-Schaefer. Illustrated by W Noll and E Raddatz. Forewords by G Jonkel and C Mead. Published by Cornell University Press, Ithaca, New York. 328 pp, 16,7 x 24,0 cm, 456 figures, diagrams and photographs. Price in U.S.A. \$69,50, plus 10% overseas. Originally published in German under the title *Vogelfang und Vogelberingung*, in 1978 by A Ziemsem Verlag, Wittenberg Lutherstadt.

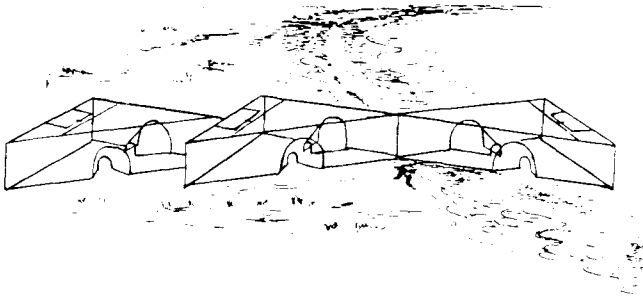
Since their introduction, mistnets have become practically synonymous with bird ringing. Researchers and ringers have, by and large, forgotten that other methods to catch birds had to be used before mistnets became available.

This book is an encyclopedia of methods to capture birds for the purpose of ringing. The array of methods described is vast. There are chapters dealing with small, medium and large funnel traps, large installations for ducks, cage traps, pit traps, stationary nets (including

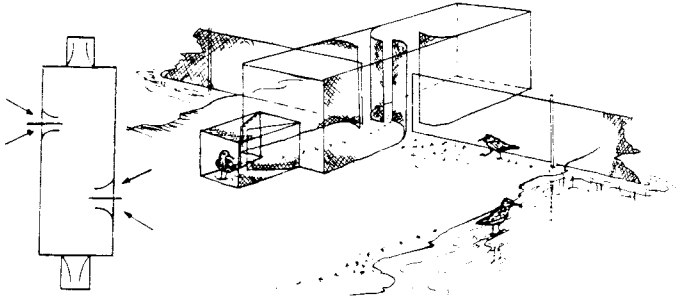
mistnets as a special case), drop nets, bow nets, nooses, hand nets and spotlights, clap nets, hedge nets, tent nets, pull nets and cannon nets, and many more. The methods are fully described and illustrated with photographs and line drawings (for some examples see below and overleaf). The experiences of the ringers who have used them are given by anecdotal examples of their effectiveness, with details of location, species and numbers caught within a given period. There is a species index through which it is possible to trace methods that have been used to trap a particular species. For example, for kingfishers there are nine references, that lead the reader to ways of baiting kingfishers, and methods of trapping them at their nest holes with trammel nets, mistnets, hand nets, etc., and the associated success with the methods.

This book is an essential resource for researchers commencing a project which involves the capture, marking and recapture of the many species for which mistnets are not effective.

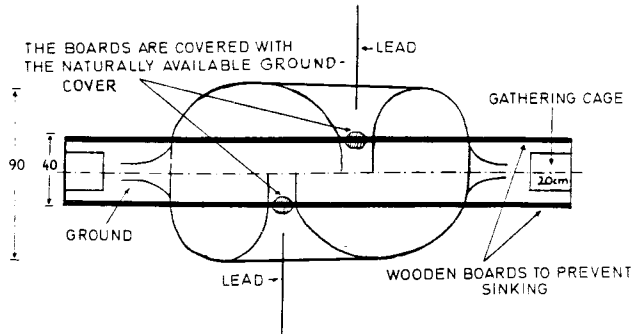
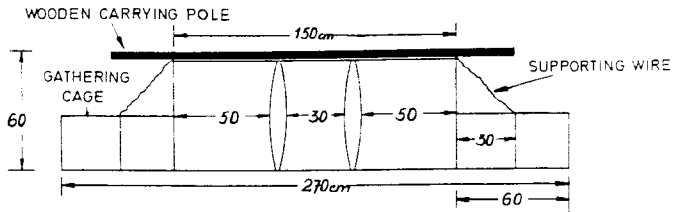
George Underhill



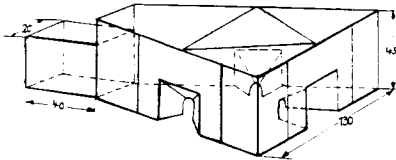
Shorebird funnel traps used on the Australian west coast. After SERVENTRY, 1962.



Ottenby funnel trap. After HOLLOM & BROWNLOW, 1955.



Model of the Ottenby funnel trap with wooden boards. After W. JENNING.



Revtangen shorebird funnel trap. After BERNHOFT-Osa, 1955.